

SKAKO CONCRETE ROTOCONIX[®]

**PATENTED
MIXER TECHNOLOGY**



SKAKO
CONCRETE

You find the ultimate response in the new **ROTOCONIX® Mixer of SKAKO CONCRETE**

Reversible Turbo Whirler

- High speed prevents and destroys bullets of non-mixed particles -
MEANS BETTER MIXING
- Provides intense compression and increases cement activity -
MEANS POWDER SAVINGS
- Release/snap and easily removable parts -
MEANS FAST AND EASY MAINTENANCE
- Long life wear parts with high speed steel reinforcements -
MEANS LOW COST MAINTENANCE
- Distributes rapidly liquids into heart of mix -
MEANS FASTER MIXING



Reversible Screw

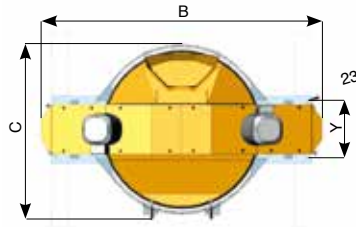
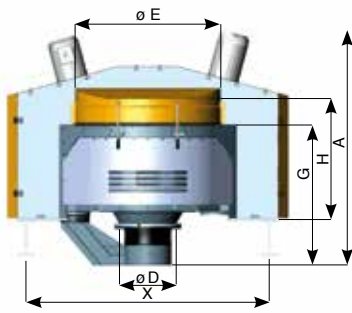
- Homogenizes and distributes materials vertically -
MEANS BETTER MIXING
- Ensures equal mixing at all filling levels of cone (down to 10 %) -
MEANS FLEXIBLE PRODUCTION
- Inversion of screw direction prevents retention of materials and accelerates discharge -
MEANS SHORTER BATCHING CYCLES

Reversible Rotating Cone

- Accelerates discharge -
MEANS SHORTER CYCLES
- Cone with minimum surface -
MEANS FAST AND EASY CLEANING
- Conical shape allows for smaller batches down to 10 % of maximum filling capacity -
MEANS FLEXIBLE PRODUCTION
- Removes all materials sticking to scrapers at each inversion of cone rotation -
MEANS COMPLETE DISCHARGE
- Mixing starts at first introduction of materials -
MEANS FASTER MIXING

YOUR MIXING NEEDS

- Quick batching cycles
- Easy and fast discharge
- Smooth and time saving maintenance
- Homogeneous stable quality at low cost
- Flexible size batches from same mixer – less investments
- Face concrete quality
- Automatic or easy cleaning between one batch and the other



SKAKO ROTOCONIX®		750	1500	2250
Max. charging capacity / max. charging weight *	l / kg	750 / 1200	1500 / 2400	2250 / 3600
Output, compact concrete *	l / kg	500 / 1200	1000 / 2400	1500 / 3600
Motor power : pan rotation	kW	7,5	11	15
Motor power : screw	kW	11	22	30
Motor power : whirler	kW	15	30	37
Pan rotation speed range	RPM	4 - 16	3.5 - 14.5	3.5 - 14.5
Screw rotation speed range	RPM	25 - 100	18 - 72	15 - 60
Whirler rotation speed range	RPM	75 - 300	50 - 200	40 - 160
Net weight / gross weight	kg	3400 / 4600	5700 / 8100	6000 / 9600
A : Total height	mm	2300	3200	3200
B : Total length	mm	2900	3600	3600
C : Total width	mm	1750	2450	2450
D : Output diameter	mm	550	550	550
E : Internal diameter (max.)	mm	1660	2360	2360
Conical angle		60°	60°	60°
G : Pan height	mm	950	1560	1560
H : Cover level	mm	1300	1470	1470
I : Discharge bottom level	mm	410	840	840
X : Support distance (length)	mm	2500	3200	3200
Y : Support distance (width)	mm	590	590	590

* Depending on density

Fully integratable with your SKAKOMAT automation and control system

- The motors for all 3 mixing functions can be controlled via frequency converters – means innumerable combinations e.g.:
 - 1) Rpm of individual mixer tools
 - 2) Action duration of individual tools until stop or inversion
 - 3) Action change triggered by batch consistency
 - 4) Multi parameter combinations for determined mix designs
- Rheological control via power consumption at different mixer tool speeds
- Water content control

IN A DEMANDING WORLD...

SKAKO DELIVERS CONCRETE RESULTS

QUALITY CONCRETE – IN FULL CONTROL

Concrete is the basic leading building blocks of strong communities. Made from 100% natural materials, it forms the foundations of the homes, businesses and major infrastructure projects that communities depend on to live comfortably and prosper.

SKAKO develops the technology and provides the services that make it easier for people to perform better and produce higher quality concrete so essential to best practices today.

SKAKO is one of the world's largest suppliers of complete concrete batching plants for ready-mix concrete, precast concrete and concrete elements.

Our batching plants are under continuous development to ensure we deliver the most efficient capital equipment and plant possible.

SKAKO understands that in today's production environment, productivity improvements and downtime reduction are on the top of every company's priority list. SKAKO equipment is engineered to perform flawlessly under all conditions.



SKAKO CONCRETE
Bygmestervej 2 - 5600 Faaborg
Denmark

www.skako.com

SKAKO CONCRETE
Parc du Mélantois / Rue des Séquoias
BP 60438 / 59814 Lesquin Cedex
France