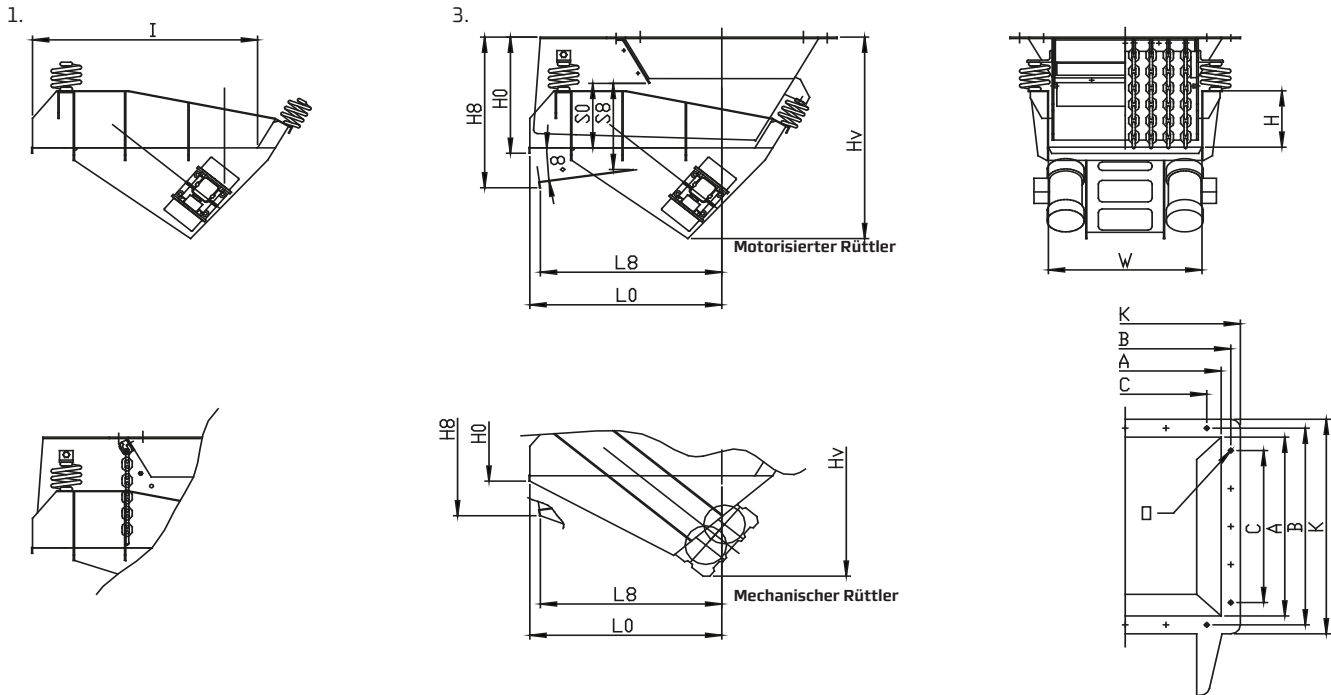


## Open Vibratory Feeder Type **FCU/FCR-3NL** with Motor/Mechanical Vibrator



Feeder Size W/ø	Capacity m³/h 2)		Dimensions trough Profile (mm)			Vibrator Type 1)	Weight kg Excl. wear liner		Installation Requirements (mm)										Diameter (ø)	Quantity (Q)		
	0°	8°	Width (W)	Height (H)	Wear Lining		1	3	1	L <sub>0</sub>	L <sub>8</sub>	H <sub>0</sub>	H <sub>8</sub>	H <sub>V</sub>	S <sub>0</sub> 3)	S <sub>8</sub> 3)	A	B			C	K
040/0050	45	60	400	160	3	15/400	140	175	590	500	480	335	430	750	170	220	500	580	450	650	18	8
040/0100	45	60	400	160	3	15/550	180	210	1090	1000	975	330	490	760	170	220	500	580	450	650	18	8
056/0071	90	120	560	225	4	15/550	180	250	830	710	675	460	600	930	300	380	710	800	610	870	22	8
056/0125	90	120	560	225	4	15/1100	225	290	1365	1250	1210	460	670	955	300	380	710	800	610	870	22	8
080/0100	200	260	800	315	5	15/1100	295	465	1170	1000	950	650	845	1130	365	475	1000	1100	2x425	1200	22	12
080/0160	175	230	800	315	5	15/1710	320	485	1775	1600	1545	650	930	1190	365	475	1000	1100	2x425	1200	22	12
100/0125	315	410	1000	400	5	15/1710	380	730	1555	1250	1190	860	970	1350	440	600	1250	1400	2x525	1490	27	12
100/0200	320	416	1000	400	5	10/2610	715	1135	2205	2000	1925	860	1205	1550	440	600	1250	1400	2x525	1490	27	12
125/0160	430	560	1250	500	6	10/2610	750	1560	1865	1600	1530	1085	1380	1745	620	765	1600	1750	2x650	1900	27	12
160/0200	580	750	1600	500	6	075/6500	1540	2590	2340	2000	1890	1305	1685	2235	590	770	2000	2200	2x850	2400	27	12

SKAKO VIBRATION retains all rights to change or improve the above specifications without notice

05-01-2015

- 1) See appropriate data sheets for vibrators.
- 2) The capacities stated are valid for naturally moist sand 0-3 mm and including wear liners.  
Be aware that the capacities are stated in m³/h.
- 3) By replacing the trough gate with a chain curtain the opening is enlarged by approx. 50%.

Please contact us for further information regarding exact dimensions and installations.

## Open Vibratory Feeder Type **FCU/FCR-3NL** with Motor Vibrator/Mechanical Vibrator

### Feeder capacity can be regulated in 4 ways:

#### By declining the vibratory trough

Depending on the material, and on the optional trough lining, capacity is increased by approximately 30% by an 8° decline.

#### By adjusting the trough gate

Adjusting the trough gate allows an infinitely variable regulation of the depth of material on the vibratory trough.

#### By adjusting the eccentric weights

The stroke can be regulated by adjusting the eccentric weights of the vibrator.

#### By adjusting the working frequency

By means of a frequency inverter or hydraulic drive, it is possible to achieve an infinite variation from appr. 25% to 100% of the preset capacity.

### Feeder size is chosen on the basis of:

#### Primarily, capacity in cubic metres per hour (m<sup>3</sup>/h)

Bulk densities in the range 0,3-5t/m<sup>3</sup> have an insignificant influence on the capacity of feeders with motor/mechanical vibrators. The indicated capacities are calculated at a bulk density of 1,5 t/m<sup>3</sup>.

#### Secondarily, particle size and material characteristics

Normally the indicated capacities are achievable when particle sizes are no larger than 1/10th of the trough width.

The feeders are able to handle considerably coarser materials, but with reduced capacity.

To avoid jamming, materials containing lump sizes larger than 1/3<sup>rd</sup> of the maximum gate opening should only be handled in larger feeders.

### Feeder Design:

All standard feeder sizes are available in a short version; the smaller sizes are also available in a long version for materials with a low slope angle.

At horizontal trough, the following minimum slope angles at maximum and minimum gate openings are obtained:

**Short feeders:** approximately 30° and 15°, respectively.

**Long feeders:** approximately 15° and 7°, respectively.

Vibratory troughs may be lined with e.g rubber, PEHD, PUR, steel etc. The type of liner is selected according to the nature of the material to be handled (e.g sticky, corrosive or very abrasive).

Feeders with no wear lining are appropriate for proportioning from e.g rarely emptied silos. The material may be slightly to moderately abrasive, e.g vegetables, gravel and sand.

