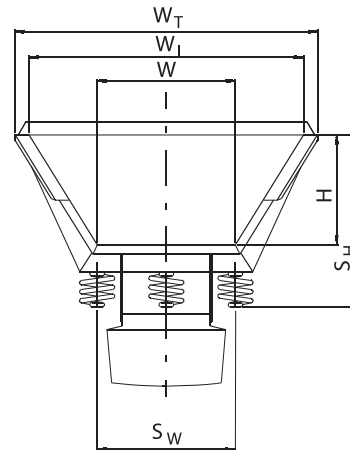
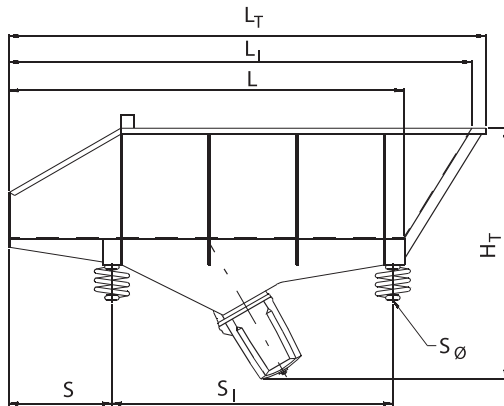


Feeder Type **FVE-1N**



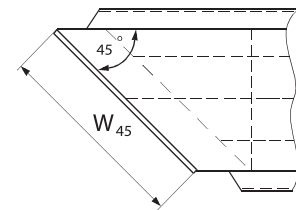
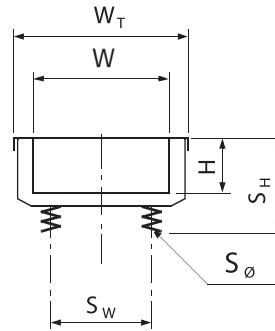
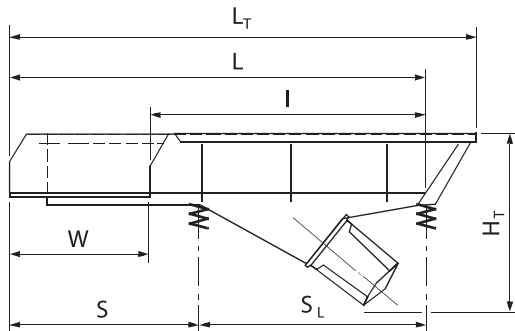
Feeder size is selected

- Primarily according to the required volumetric storage capacity or discharge dimensions of the transport containers.
- Secondly according to the size of product and composition of the material.

| INSTALLATION REQUIREMENTS (mm) | | | | | | | | | | | | | | | |
|--------------------------------|----------|------|-----|------|----------------|----------------|----------------|----------------|----------------|----------------|----------------|-----|----------------|----------------|-------------|
| Type | Vibrator | W | H | L | W _I | W _T | H _T | L _I | L _T | S _W | S _H | S | S _I | S _Ø | Weight (kg) |
| FVE 071/0125M1NL | 8D | 315 | 250 | 900 | 630 | 715 | 670 | 1060 | 1100 | 315 | 415 | 230 | 650 | 13 | 65 |
| FVE 140/0250M1NL | 8D | 400 | 315 | 1120 | 800 | 900 | 770 | 1320 | 1370 | 400 | 530 | 230 | 820 | 13 | 90 |
| FVE 280/0500M1NL | 20D | 500 | 400 | 1400 | 1000 | 1110 | 930 | 1650 | 1710 | 500 | 665 | 370 | 870 | 18 | 170 |
| FVE 560/1000M1NL | 50D | 630 | 500 | 1800 | 1250 | 1380 | 1175 | 2110 | 2175 | 630 | 785 | 470 | 1280 | 18 | 350 |
| FVE 1120/2000M1NL | 100D | 800 | 630 | 2240 | 1600 | 1750 | 1480 | 2640 | 2720 | 800 | 970 | 590 | 1620 | 22 | 680 |
| FVE 2240/4000M1NL | 2x100D | 1000 | 800 | 2800 | 2000 | 2170 | 1800 | 3300 | 3380 | - | - | - | - | - | 1200 |

SKAKO VIBRATION retains all rights to change or improve the above specifications without notice

Conveyor Type **CCE-1NF**



Vibratory conveyor is selected

- According to width of the inlet opening of the succeeding machine.
- According to size of product.
- According to charge size.

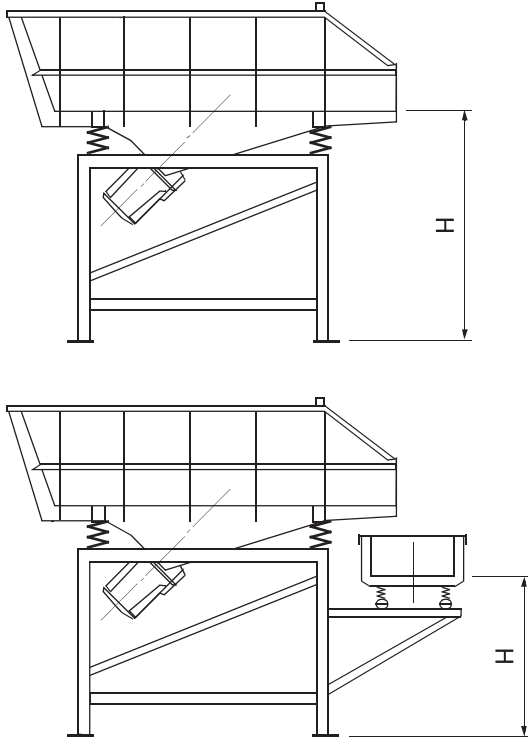
| INSTALLATION REQUIREMENTS (mm) | | | | | | | | | | | | | | | |
|--------------------------------|----------|------|-----|------|-----------------|------|----------------|----------------|----------------|----------------|----------------|----------------|-----|----------------|-------------|
| Type | Vibrator | W | H | L | W ₄₅ | I | W _T | H _T | L _T | S _W | S _H | S _L | S | S _Ø | Weight (kg) |
| CCE 020/0080 | 4D | 200 | 80 | 800 | 280 | 600 | 290 | 350 | 890 | 200 | 165 | 500 | 270 | 8 | 28 |
| CCE 020/0100 | 4D | 200 | 80 | 1000 | 280 | 800 | 290 | 370 | 1090 | 200 | 165 | 650 | 330 | 8 | 32 |
| CCE 020/0120 | 4D | 200 | 80 | 1200 | 280 | 1000 | 290 | 400 | 1290 | 200 | 165 | 755 | 425 | 8 | 36 |
| CCE 020/0140 | 4D | 200 | 80 | 1400 | 280 | 1200 | 290 | 430 | 1490 | 200 | 165 | 800 | 580 | 8 | 40 |
| CCE 040/0080 | 8D | 400 | 160 | 800 | 560 | 400 | 510 | 475 | 950 | 275 | 265 | 340 | 440 | 8 | 60 |
| CCE 040/0120 | 8D | 400 | 160 | 1200 | 560 | 800 | 510 | 515 | 1350 | 340 | 280 | 640 | 565 | 12 | 80 |
| CCE 040/0160 | 8D | 400 | 160 | 1600 | 560 | 1200 | 510 | 575 | 1750 | 340 | 280 | 965 | 615 | 12 | 100 |
| CCE 050/0150 | 20D | 500 | 160 | 1500 | 710 | 1000 | 615 | 560 | 1650 | 440 | 290 | 880 | 600 | 12 | 110 |
| CCE 080/0150 | 50D | 800 | 280 | 1500 | N/A | 700 | 920 | 710 | 1730 | 720 | 490 | 1000 | 500 | 12 | 350 |
| CCE 100/0150 | 100D | 1000 | 280 | 1500 | N/A | 500 | 1120 | 950 | 1730 | 920 | 540 | 1000 | 500 | 18 | 500 |

SKAKO VIBRATION retains all rights to change or improve the above specifications without notice

28-09-2017

Please contact us for further information regarding exact dimensions and installations.

Feeder Type **FVE-1N** Conveyor Type **CCE-1NF**

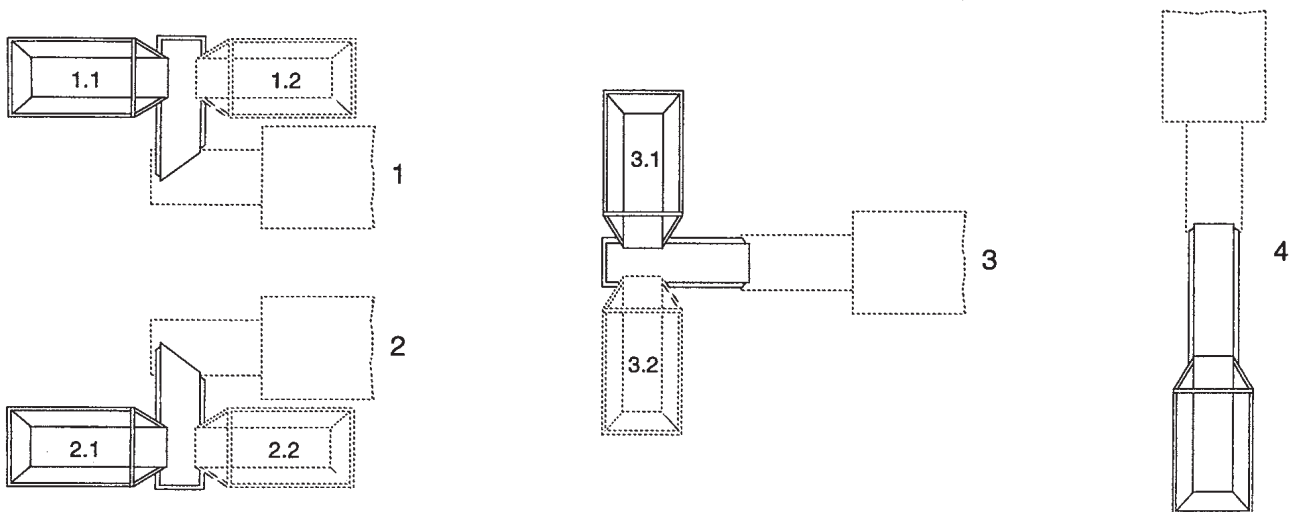


| Lowest Working Height H | |
|-------------------------|------|
| Type | H |
| FVE 071/0125M1NL | 450 |
| FVE 140/0250M1NL | 480 |
| FVE 280/0500M1NL | 560 |
| FVE 560/1000M1NL | 700 |
| FVE 1120/2000M1NL | 880 |
| FVE 2240/4000M1NL | 1100 |

| Lowest Working Height H | | | | | |
|-------------------------|----------|----------|----------|----------|-----------|
| Type | 071/0125 | 140/0250 | 280/0500 | 560/1000 | 1120/2000 |
| CCE 020/0080 | 320 | 360 | 430 | 580 | 750 |
| CCE 020/0100 | 340 | 360 | 430 | 580 | 750 |
| CCE 020/0120 | 370 | 370 | 430 | 580 | 750 |
| CCE 020/0140 | 400 | 400 | 430 | 580 | 750 |
| CCE 040/0080 | 370 | 370 | 370 | 500 | 670 |
| CCE 040/0120 | 410 | 410 | 410 | 500 | 670 |
| CCE 040/0160 | 470 | 470 | 470 | 500 | 670 |
| CCE 050/0150 | 450 | 450 | 450 | 500 | 670 |
| CCE 080/0150 | 480 | 480 | 480 | 480 | 550 |
| CCE 100/0150 | 720 | 720 | 720 | 720 | 720 |

| Effective Volume for FV Feeders | | |
|---------------------------------|--------|---------|
| Type | Litres | kg/max. |
| FVE 071/0125M1NL | 71 | 125 |
| FVE 140/0250M1NL | 140 | 250 |
| FVE 280/0500M1NL | 280 | 500 |
| FVE 560/1000M1NL | 560 | 1000 |
| FVE 1120/2000M1NL | 1120 | 2000 |
| FVE 2240/4000M1NL | 2240 | 4000 |

The **SKAKO VIBRATION** modular system of FVE feeders, produced in series, and standard vibratory conveyors provides the individual solution adapted to each client.



Please contact us for further information regarding exact dimensions and installations.